

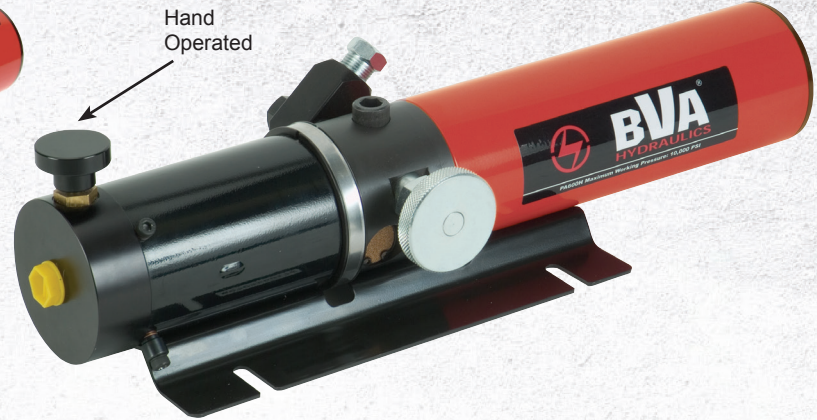


ALL POSITION AIR PUMPS

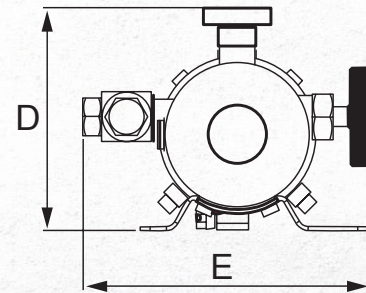
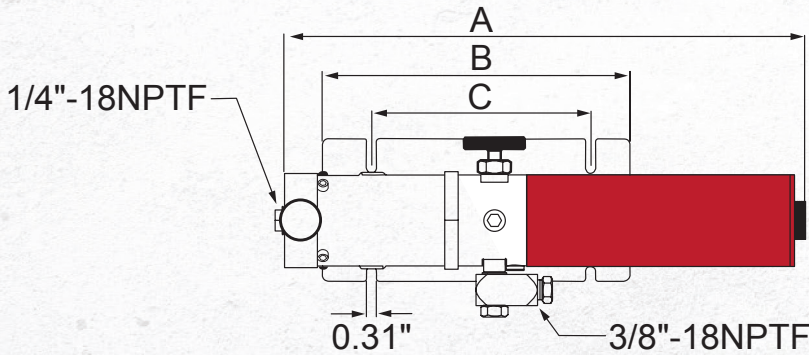
- Pump can work in any position
- Mounting plate allows for the pump to be securely fastened
- Hydraulic port swivels for easy connection



PA600



PA600H



Used with Cylinder	Usable Oil Capacity (in ³)	Model Number	Pressure Rating (psi)	Oil Output Flow Rate (in ³ /min)		Input Air Pressure Range (psi)	Weight (lbs)
				No Load	Load		
Single Acting	36.6	PA600	10,000	61	9	110-175	14.1
	36.6	PA600H	10,000	61	9	110-175	12.5

Model Number	Dimensions (in)				
	A	B	C	D	E
PA600	16.77	9.84	7.01	6.18	5.59
PA600H	16.77	9.84	7.01	4.49	5.75